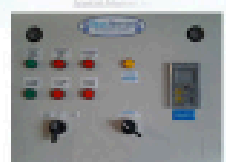




**SEA WATER DESALINATORS**

**MODEL SERIES BS. W**

**70 - 140 - 180 - 260 - 200**



## WHY BOATSERVICE DESALINATORS OUTMATCH:

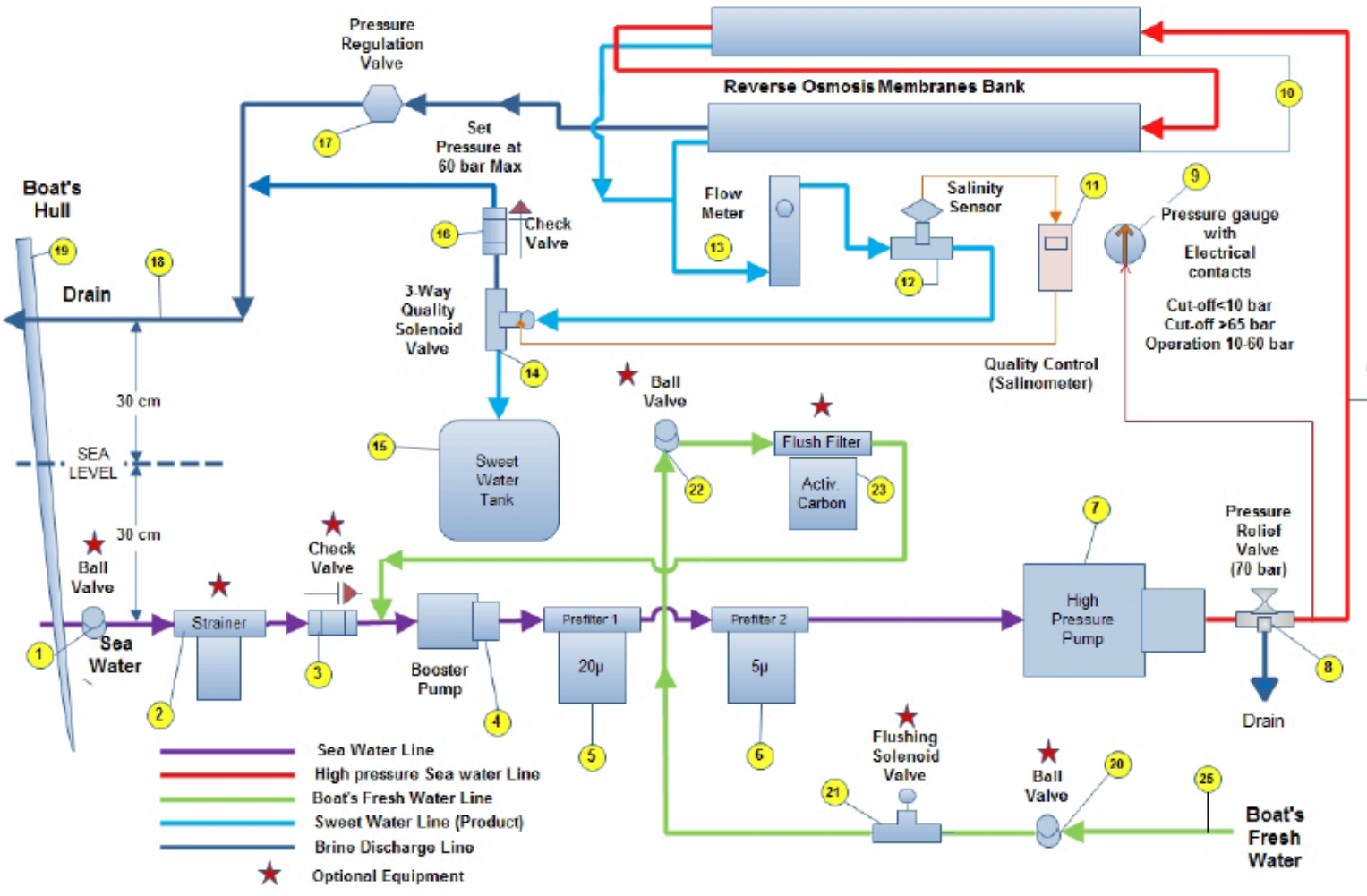
1. Flexibility of their installation at any space. (Installation at different places the control panel, the R.O. membranes and the base of the machine with the pumps).
2. All the main components are CE marked by their manufacturers.
3. They have declaration of conformity approved by certified by ESYD companies. They are CE marked regarding:
  - A. Conformity with the EN 60204-1:2006 + A1:2009 +AC2011 (LOW VOLTAGE DIRECTIVE) issued by LABOR S.A
  - B. Conformity with the EN 60945 (ELECTROMAGNETIC COMPATIBILITY) issued by EMC HELLAS S.A.
  - D. Conformity with the 1999/519/EK (ELECTROMAGNETIC FIELDS) issued by EMC HELLAS S.A.
4. Double protection as far as the safety due to excess pressure (electrical and mechanical).
5. They are constructed in Greece by our company so the customer has assured and immediate assistance and spare parts to every problem that might arise.
6. **Affordable price.**

## BOATSERVICE DESALINATOR MODEL CHARACTERISTICS

Model:	<b>BS.W 70</b>	<b>BS.W 140</b>	<b>BS.W 180</b>	<b>BS.W 260</b>	<b>BS.W 200</b>
Type:	Semi-automatic	Semi-automatic	Semi-automatic	Semi-automatic	Semi-automatic
Capacity:	70 ltr/hr	140 ltr/hr	180 ltr/hr	240 ltr/hr	180 ltr/hr
Voltage:	230 Volts	230 Volts	230 Volts	230 Volts	230 Volts
Power:	1,5 Kw	1,5 Kw	1,5 Kw	2,2 Kw	2,2 Kw
Weight:	72 Kg	78 Kg	84 Kg	90 Kg	80 Kg
Dimension (main):	Length-65cm X Width-40cm X Hight-35cm				
Manufacturer:	BoatService, CE approval				
High Pressure Pump:	CAT PUMP 277 (Made in USA)				
Booster Pump:	Calpeda (Made in Italy)				
Flushing operation:	By electr. switch (Option)				
Membranes Filmtec (Made in USA):	130cm X 15cm	130cm X 28cm	130cm X 40cm	130cm X 52cm	150cm X 20cm
Number and Type of membranes:	1x(SW30-2540)	2x(SW30-2540)	3x(SW30-2540)	4x(SW30-2540)	1x(SW30-4040)
Membrane Vessel material:	Epoxy resin reinforced with fiber glass (Made in UK)				
Electric panel box:	Polyester, Ingress Protection: IP65				
Product Water quality instrument ( Salinity):	Made by: HANNA INSTRUMENTS (with conductivity sensor, indicating screen, desired set point and 3-way collect or reject valve).				
Indication and control pressure instrument:	Made by: NUOVA FIMA, 100mm Dia, Stainless steel material and glycerin filled for vibration protection.				
Flow meter:	Variable area type, acrylic, Rotameter with Stainless steel indicator. Measuring in gpm or ltr/hour.				
CE Declaration of Conformity:	2006/95/EC, 2004/108/EC RoHS DIRECTIVE 2011/65/EU to which this declaration relates is in conformity with the following standard(s) or other normative document(s) EN 60204-2006+A1:2009+AC2011 and EN 60945:2002				

**ALL THE COMPONENTS HAVE DECLARATION OF CONFORMITY CE**

## Schematic Diagram of BoatService Desalinator



## Schematic Diagram Components Index

1. Ball valve
2. Strainer
3. Check valve
4. Booster pump
5. Prefilter 20 $\mu$ m
6. Prefilter 5 $\mu$ m
7. High pressure pump
8. Relief valve (70 bar)
9. Pressure gauge with electrical contacts (cut-off < 10bar, cut-off > 65bar, operation 10bar – 60bar)
10. R.O. Membranes
11. Salinometer (Conductivity) (Quality control)
12. Salinity sensor
13. Flow meter
14. 3-way solenoid valve
15. Sweet water tank
16. Check valve
17. Pressure regulation valve
18. Reject line
19. Boat's Hull
20. Ball valve
21. Flushing solenoid valve
22. Ball valve
23. Activated carbon filter
24. High pressure sea water line
25. Boat's fresh water line

# BOATSERVICE – DRITAN HOXHA DESALINATOR

## Manufacturer's Warranty

### Standard warranty

Subject to the terms, conditions and limitations in this limited warranty ("warranty"), **BOATSERVICE – DRITAN HOXHA** new products are warranted to be free from defects in materials and workmanship for the following period (the "Warranty Period"):

24 months from Date of first purchase

"Date of first purchase" means the date on which the product was purchased by the first retail customer or where the product was installed and/or commissioned on a new vessel by a **BOATSERVICE – DRITAN HOXHA** certified original equipment manufacturer, the date on which the vessel was purchased by the first retail customer. For products installed by a **BOATSERVICE – DRITAN HOXHA** certified installer on a vessel already in the customer's possession; the Warranty Period will begin on the date of product installation or commissioning.

**BOATSERVICE – DRITAN HOXHA** will (at its sole option) repair or replace any product which is (i) proven to be defective in materials or workmanship; and (ii) returned to **BOATSERVICE – DRITAN HOXHA** (or its agent) during the Warranty Period in accordance with this warranty. Replacement products may be new or refurbished. Such repair or replacement will be the sole remedy by **BOATSERVICE – DRITAN HOXHA** under this warranty. Any repaired or replacement product will be warranted in accordance with this warranty, for the unexpired balance of the Warranty Period on the original product.

Obtaining standard warranty service

To qualify for standard warranty service, the product must be returned to **BOATSERVICE – DRITAN HOXHA** or a **BOATSERVICE – DRITAN HOXHA** certified service agent within: (i) the Warranty Period; and (ii) 30 days of the alleged product failure. The product must be securely packaged and sent pre-paid, accompanied by:

- an original valid proof of purchase confirming the date of purchase and product supplier or a stamped warranty card completed by the product supplier; and
- the product serial number.

It is recommended that the customer obtains postal insurance for products that are returned under this warranty. **BOATSERVICE – DRITAN HOXHA** will not be liable for loss or damage to products in transit to **BOATSERVICE – DRITAN HOXHA**.

### Warranty limitations & exclusions

In addition to any other limitations and exclusions in this warranty, **BOATSERVICE – DRITAN HOXHA** is not responsible for, and this warranty does not cover:

- failure or defects due to accident, abuse or misuse, shipping damage, alterations, corrosion, incorrect and/or non- authorized service or improper installation (whether or not by a **BOATSERVICE– DRITAN HOXHA** certified service agent) or failure to comply with the Owner's Handbook;
- products where the serial number has been altered, mutilated or removed;
- costs associated with routine system checkouts, software revisions, alignment/calibration, sea trials or commissioning unless required by replacement of parts in the area being aligned;
- repair or replacement of consumable items including (without limitation) fuses, filters, membranes, o-rings. A complete list of the consumable items relating to each product can be found in the Owner's Handbook.
- costs associated with overtime or premium labor work outside normal working hours;
- differences in material, coloring or size that may exist between actual products and the pictures or descriptions of such products in product advertising, literature or on the Internet;
- replacement of missing components from the package of any product purchased through an Internet online auction site;
- fees associated with hauling, shipping or towing a vessel to a **BOATSERVICE – DRITAN HOXHA** certified service agent;
- taxi fares, launch or docking fees, aircraft or vehicle rental, meals, customs, shipping, communication charges;
- other travel or transport costs.

**BOATSERVICE – DRITAN HOXHA** - Owner's manual